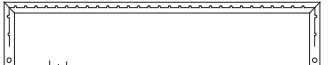
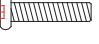

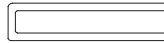


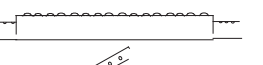
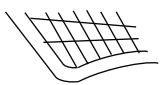


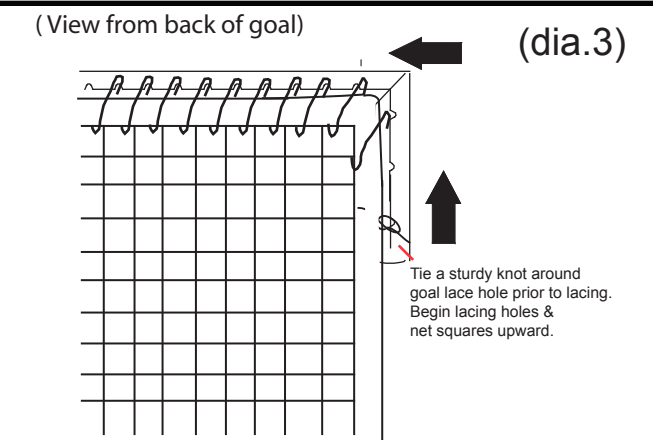
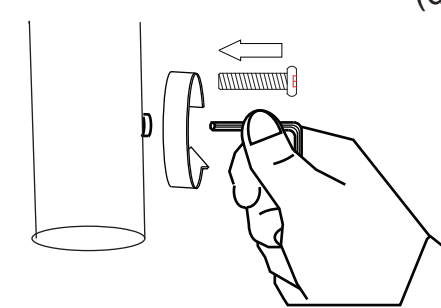
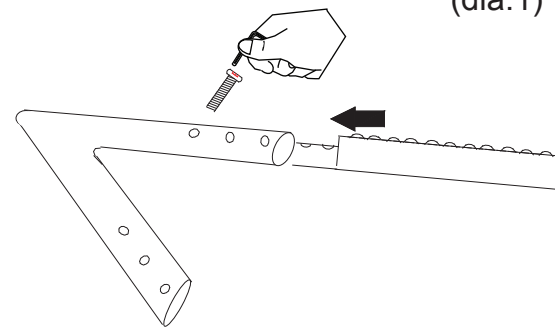


INVENTORY PARTS

①		1pcs	⑥		14pcs
②		1pcs	⑦		4pcs
③		1pcs	⑧		1pcs
④		2pcs	⑨		1pcs
⑤		1pcs	⑩		2pcs



PREPARATION FOR ASSEMBLY

2 Adults recommended for assembly

* Prior to assembly please make sure to unpack all parts, layout pieces and confirm all tools and parts shown on directions.

* If missing any parts, tools or hardware, please call STX Customer Service 1.888.789.7894.

INVENTORY PARTS

1. - Top Cross Bar
2. - Vertical Bar (Left side if facing goal)
3. - Vertical Bar (Right side if facing goal)
4. - Base Frames (interchangable)
5. - V base frame (connects 4's)
6. - Screws to secure bars together
7. - Stakes to keep goal in place once assembled
8. - Allen wrench to screw in bolts
9. - Net
10. - String (2 spools) to string net to goal frame

*TIP: Have on hand from your toolbox or garage ...

- * 5 zip ties to keep net in place while stringing
- * Scissors or knife to cut string
- * A chair, bench or carpenters horse to lean goal while stringing.

ASSEMBLY

1. Identify pipe/bar #'s and parts shown on diagram and in inventory above.
2. Lay both 4 bars on ground connecting with 5 (V base frame) using 6 screws from 6 and securing with 8. (see dia. 1 & 2)
3. Attach bar 2 (left side facing goal) to 4 and attach with 3 screws from 6 and secure with 8.
4. Repeat step 3 for bar 3 (right side facing goal).
5. Attach bar 1 to vertical bars 2 and 3. Lacing holes on cross bar should face back side so bolt holes align. attach with 2 remaining screws from 6 securing with 8. (see dia. 2)
6. Lay out 9 (net) placing white trim of net on the outside.
7. Attach top right and left corners of net to lacing holes on cross bar with a *zip tie. Repeat this step at bottom right & left corners and V corner.
8. Take 10 (one spool of string) and begin by tying a secure knot to the lace hole by "X". Begin approx. at "X" on diagram and start lacing each net square to each lace hole with string, lacing upward (see dia. 3).
9. Continue to Lace about 1/5 of the way (to about the "1" on diagram) and then cut string and tie off with a secure knot to lacing bar. (Sectioning is recommended to assist if string breaks, re-lacing will only be a small section).
10. Repeat stringing assembly directions # 8-9 after each section of lacing is complete all the way around the goal until lacing holes are completely connected with net squares.
11. Zip ties may remain for reinforcement if desired.

STX HIGH SCHOOL GAME GOAL

